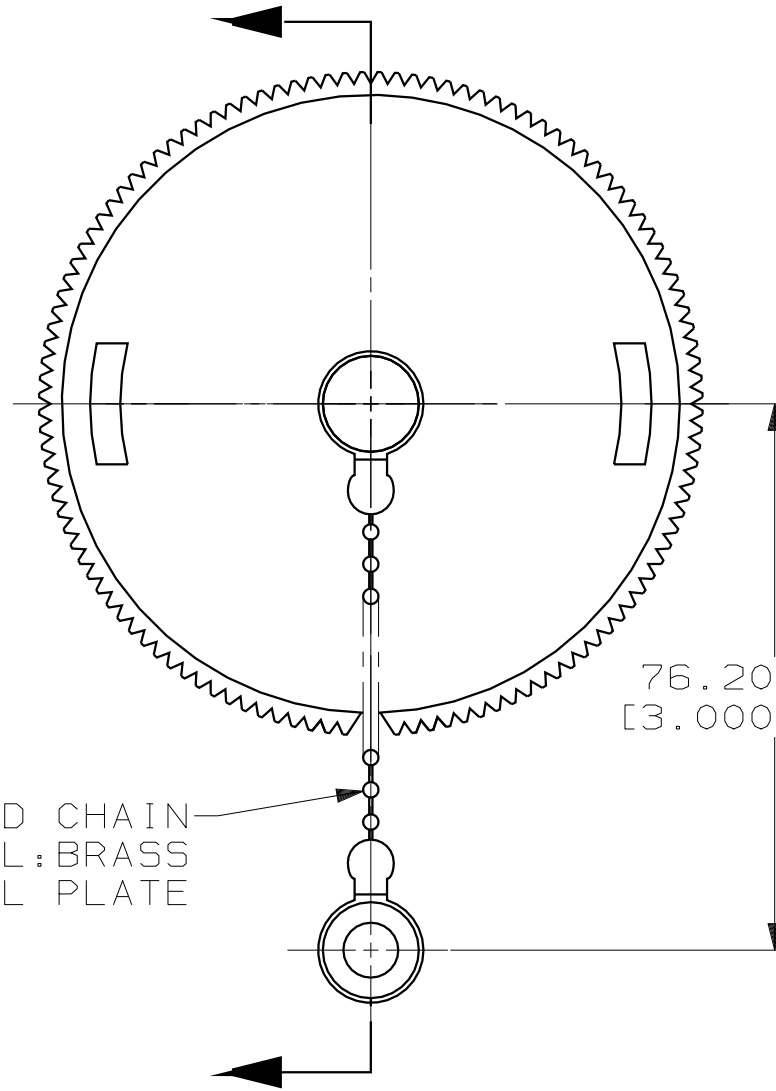


THIS DRAWING IS UNPUBLISHED. RELEASED FOR PUBLICATION, 19 .  
 © COPYRIGHT 19 BY AMP INCORPORATED. ALL INTERNATIONAL RIGHTS RESERVED.

MOD	LOC	DIST	P	F	ZONE	LTR	REVISIONS	DATE	APPD
4	BD	35				C	REDRAWN & REV PER EC 0020-680-93	6-10-93	AF

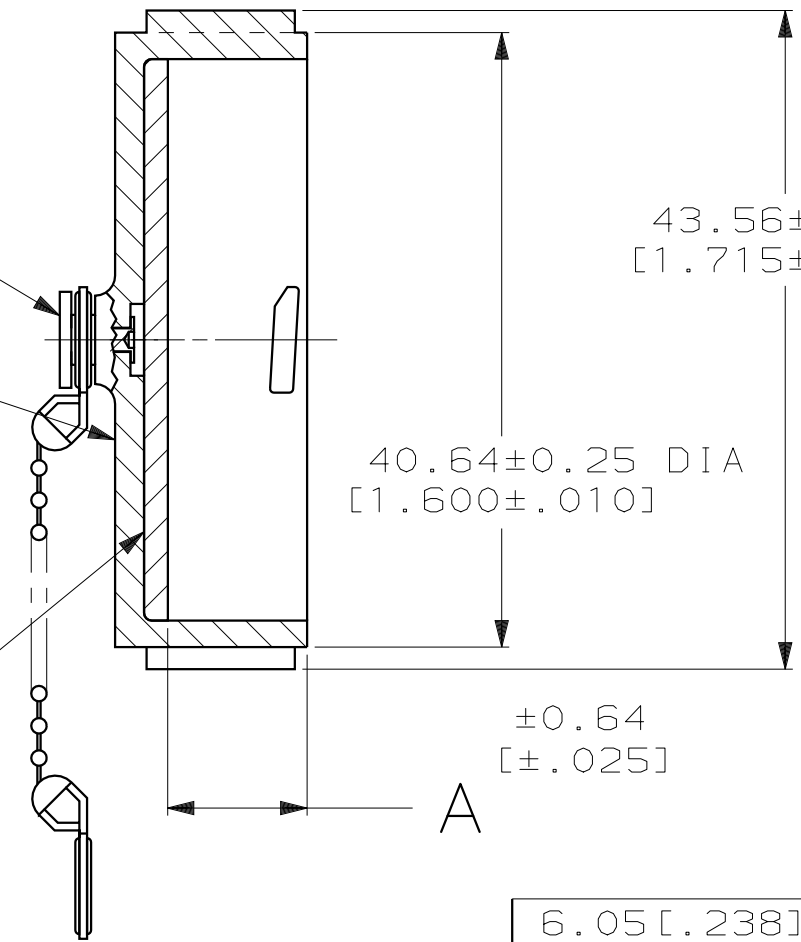


BEAD CHAIN  
 MATERIAL: BRASS  
 FINISH: NICKEL PLATE

RIVET  
 MATERIAL: CARBON STEEL  
 FINISH: ZINC PLATE  
 W/CLEAR CHROMATE

SEALING CAP  
 MATERIAL: THERMOPLASTIC  
 COLOR: BLACK

SEALING GASKET  
 MATERIAL: ELASTOMER  
 COLOR: BLACK



6.05 [.238]	208680-2
9.22 [.363]	208680-1
A	PART NUMBER

THIS DRAWING IS A CONTROLLED DOCUMENT FOR AMP INCORPORATED. IT IS SUBJECT TO CHANGE AND THE CONTROLLING ENGINEERING ORGANIZATION SHOULD BE CONTACTED FOR THE LATEST REVISION.

DO NOT SCALE PRINT. UNLESS SPECIFIED DIMENSIONS IN mm [INCHES] TOLERANCES ON: 2 PLC DEC ± 0.13 [.005] 3 PLC DEC ± - ANGLES ± -		DR 6-10-93 D. BROCKWAY	AMP Incorporated Harrisburg, PA 17105-3608
MATERIAL SEE CALLOUTS		CHK 7-1-93 R. STONE	
FINISH SEE CALLOUTS		APPD 7-1-93 AL FRANTUM	NAME SEALING CAP ASSY, SIZE 23, WITH BEAD CHAIN, CPC
		APPD 7-1-93 AL FRANTUM	SIZE B
		PRODUCT SPEC -	CAGE CODE 00779
		APPLICATION SPEC -	DRAWING NO C-208680
		WEIGHT -	SCALE 2:1
			SHEET 1 OF 1